

MARTIN™ SD1213

SPECIFICATIONS:

30 yds. WF12F plus 350 yds. of 30# backing capacity

12.0 oz. Weight

4 1/4" Diameter; 1 1/8" Spool Depth

FEATURES:

Single action

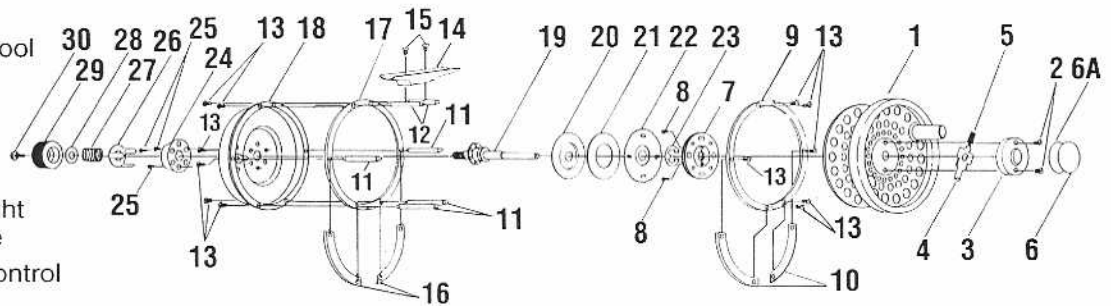
High-strength, lightweight aluminum alloy frame

Counterbalanced rim-control spool

Exclusive 360° floating disc drag system

Sculptured crank handles

Machined, replaceable reel foot



Key No.	Part No.	Description	Price
1	F57	Spool Assembly	31.90
2	RR130-10A	Spool Lock Cap Screw	.20
3	251X-MP	Spool Lock Cap	1.20
4	XM050-02ATP	Spool Lock	.80
5	253S	Spool Lock Spring	.32
6	727S	Medallion	1.03
6A	9501	Glue Circle	.93
7	1209PP	Clutch Assembly	5.30
8	RR130-09A	Clutch Screw	.75
9	556-01ACP	Rim (Spool Side)	2.75
10	859S (2)	Line Guide (Spool Side)	1.30
11	804S-01B	Line Guide Posts	2.95
12	803S-01B	Reel Foot Post	2.16
13	234	Pillar Screw	.32
14	809B-01A	Reel Foot	5.57
15	RR130-10A	Reel Foot Screw	.20
16	831S-01A (2)	Line Guide (Back Side)	1.00
17	848A-01ACP	Rim (Drag Side)	1.40
18	1383-SD121-01APD	Side Cover Assembly (Drag Side)	15.50
19	905-01B	Spindle	2.26
20	QC040-01A	Pressure Plate	1.85
21	RR111-10A	Teflon Brake Liner	.90
22	QC027-01A	Ratchet Friction Plate	3.45
23	RR190-04A	Retaining Ring	.60
24	360-01A	End Cap	3.25
25	RR130-04A	End Cap Screw	1.60
26	QC169-01A	Plunger Spring	5.00
27	QC108-02A	Drag Disc Spring	.89
28	532	Washer	.10
29	368-01A	Drag Nut	2.73
30	RR130-07A	Drag Knob (Spindle) Screw	1.00

MODEL INTRODUCED	EFFECTIVE DATE OF PARTS LIST/DIAGRAM	Oct. 1996	DISCONTINUED	N/A
------------------	--------------------------------------	-----------	--------------	-----

Prices subject to change without notice. Prices do not include postage and handling.

PLEASE ORDER BY PART NUMBER Zebco Division Brunswick Corporation, Box 270, Tulsa, OK 74101 USA 918-831-6965

